

**EBN**  
**Underwater Junction Box (Flush Mounted)**

**Function:**

Flush mounted underwater electrical junction box for poured-into-concrete applications. Most effective when set in 2 1/2" (58 mm) topping coat. Allows for connection of up to four underwater lights. Supplied standard with bottom conduit connection.

**Specification:**

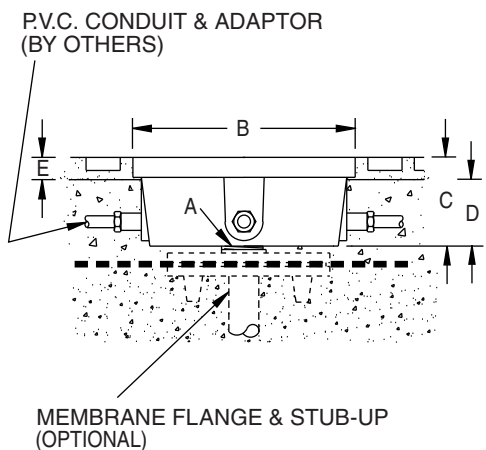
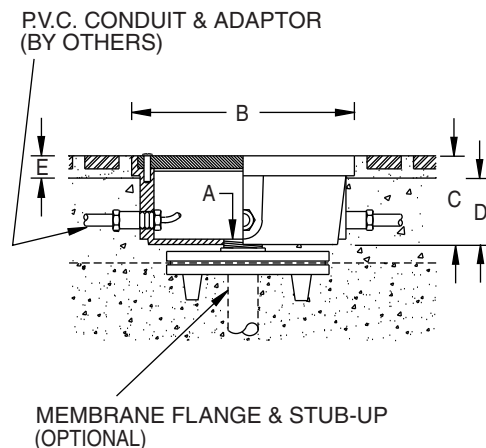
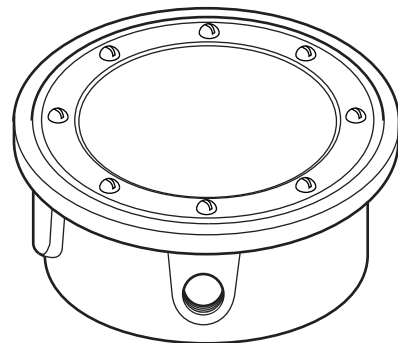
Construction shall be cast bronze and equipped with neoprene cover gasket, stainless steel fasteners and internal ground connection.

**Options: (Add suffix)**

- C - side power connection
- Q - chromed cover
- J - junction box sealant (12 oz)

**Note:**

- 1-Use with brass compression cord seals.
- 2-Seal junction box with junction box sealant (U.S. only).
- 3-CSA and UL listed.



**Dimensions**

DEFO no.	inside cu. dim.	max. no. side outlets (npt/bsp)	a (npt) (bsp)	b dim.	c dim.
EBN-104	22 1/2"	4	3/4"	6 1/2"	2 1/2"

01/01/00